

# wabi

IRON & STEEL CORP.

FOUNDED 1907



## Rail Mounted Mining and Tunneling Equipment



Wabi custom designs, engineers and manufactures a wide range of equipment specifically developed for the mining industry. Located in Ontario, Canada, Wabi's facility provides engineering, fabrication, and custom machining to a variety of industries worldwide.

Wabi's rail-mounted haulage equipment is used in all types of underground mining and tunneling applications.

### Custom Engineered To Your Specific Requirements

#### Equipment

##### Personnel Carriers

*4-25 people capacity*

*Rigid Frame*

*Articulated Frame*

*Full Suspension System*

##### Haulage/Material Handling

*Bottom Dump Cars*

*Flat Deck Cars*

*Granby Cars*

*Low Boy Rail Cars*

*Muck Cars*

*Side Dump*

*Zimmerman Cars*

#### Parts

##### Wheels

Cast Steel

Cast Iron

##### Axle assemblies

Steel Alloy

##### Bogie Assemblies

Custom Designed

##### Automatic Couplers

Williston Style

#### Rail Equipment Available Options:

Capacity

Payload

Muck Density

Wheel Size &

12"

Grey Iron

Material

14"

Ductile Iron

16"

Cast Steel

20"

Track Gauge

18"

24"

30"

36"

Other

Dumping Style

Manual

Ramp

"Still" Dump

Bottom Discharge

Axle Suspension

Yes

No

Car Couplers

Link & Pin

Automatic  Full Size or

Spherical Horn

Cushioned

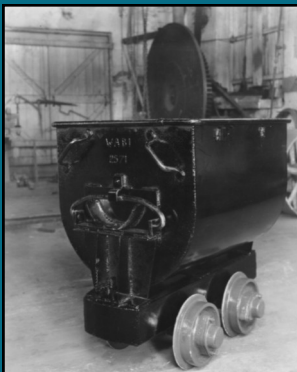
Yes

No

Car Dumper Required

Yes

No



### Contacts

#### Corporate Head Office

330 Broadwood Ave.,

New Liskeard, ON

Canada P0J 1P0

Tel: +1 705 647-4383

Fax: +1 705 647-6954

sales@wabicorp.com

[www.wabicorp.com](http://www.wabicorp.com)



## > Less downtime for more product and profit

### Work Closely With Customers

- Understand customers needs & requirements
  - Thorough knowledge of process
  - Understand and anticipate needs
- Review and discuss options
- Finalize - detailed design
- Engineering skills to convert needs into products and solutions

### Superior Engineering & Proven Design

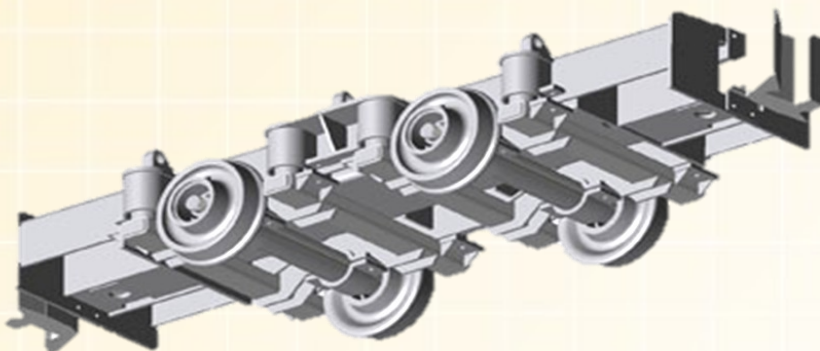
- Capability - Engineering Team
  - Experienced (+160 years)
  - Mining background (100 years)
  - Engineering disciplines, mechanical, mining, metallurgy
- Customized design
  - Individual specifications
  - Flexible
  - Incorporate the "Best of the Best"
- Dependability/durability
- Legislative compliance

### Committed to Quality Assurance

- Fully certified company
  - ISO 9001
  - CWB//W47.1 (Fusion welding of steel structures)
  - CWB//W47.2 (Fusion welding of aluminum)
  - CWB//W178 (Certified weld inspection)
  - APEO Certificate of Authorization

### Track Record of Dependable Performance

- Solutions geared to meet, or exceed customers' productivity requirements
- Safety conscious - all systems are designed for safe loading and unloading practices
- Accessible maintenance provision



## Dedicated to your success



ISO 9001  
REGISTERED



[www.wabicorp.com](http://www.wabicorp.com)