

wabi

Gold Refinery Components

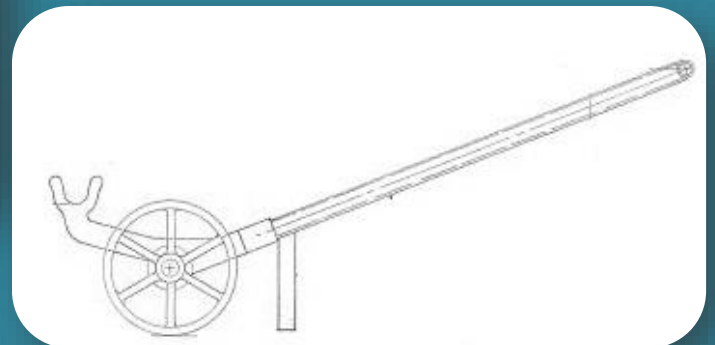
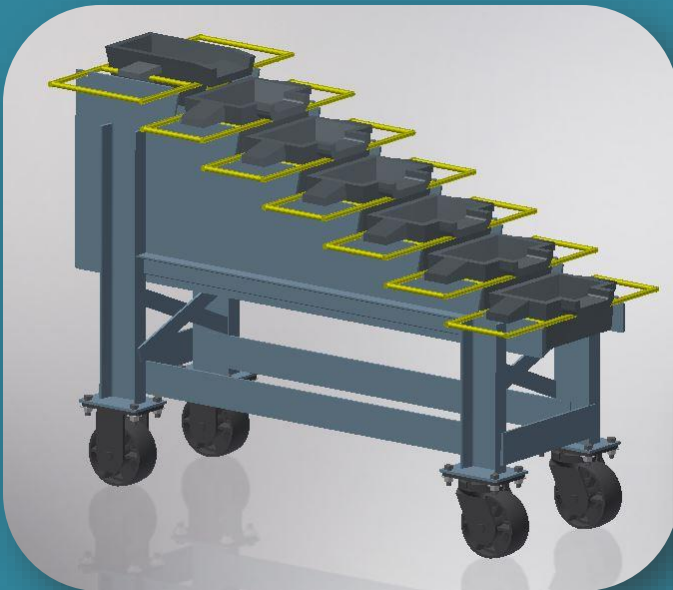
Specialized expertise in the design and manufacture of Gold refinery components

- Castings and fabrications as applicable

End
Pour



Side
Pour



Established in 1907, Wabi Iron & Steel Corp has decades of specialized expertise in the design and manufacture of the various components utilized in Gold Refineries:

- ❑ Cascades frames:
 - 3 Mold
 - 5 Mold
 - 7 Mold
- ❑ Bullion Molds: 500oz, 800oz, 1000oz, Custom
 - End pour
 - Side pour
- ❑ Bullion boxes
- ❑ Slag pots
- ❑ Slag pot trucks

We are able to manufacture a wide range of existing parts (previously produced and proven over many years). As well, our fully APEO certified Engineering Dept is capable of designing all types of cast and fabricated products.

wabi

Wabi Iron & Steel Corp.
Head Office and Manufacturing Facility:
330 Broadwood Ave.
New Liskeard ON Canada P0J 1P0

Tel: 705.647.4383
Fax: 705.647.6954
Email: sales@wabicorp.com
Web: www.wabicorp.com



Professional Engineers
Ontario

ISO 9001
REGISTERED